

Three-phase capacitors

BO/R Series

230/400/440/460/480/525/690/1100V , 50Hz



Technical Characteristics

Standard	EN 60831-1/2
Capacitance tolerance.....	-5% + 10%
Frequency.....	50Hz
Temperature range	-40°C + 55°C
Dielectric losses.....	≤ 0.5 W/KVAr
Total losses*	≤ 0.45 W/KVAr
Maximum over voltage	1,1 x Un **
Maximum over current.....	1,5 x In
THD Max in voltage	2%
THD Max in current	25%
Discharge resistance	Incorporated
Connection	Delta
Dielectric.....	Metallized polypropylene film
Voltage test between terminals.....	2,15 x Un 2 sec.
Voltage test between terminals to case	3 k V for 10sec. AC

*Without resistors

General Description

RTR Energía S.L. Power capacitors are manufactured with low loss metallized self-healing polypropylene film. Dry type capacitors are filled with a non-toxic an ecological polyurethane resin manufactured by RTR Energía, this resin provides an excellent heat dissipation properties. This series is enclosed in a prismatic box with threaded stud for the connection.

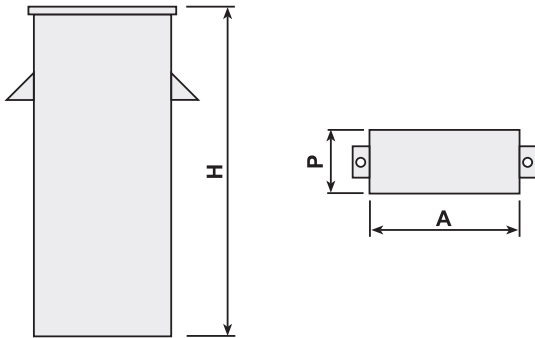
Dry and Ecological Capacitor

RTR Energía S.L. dry type capacitors are filled with a non-toxic and ecological polyurethane resin. Resin manufactured by RTR Energía provides excellent heat dissipation properties, increasing the capacitor expected life.

Applications

This series power capacitors are specially designed for reactive power factor correction used individually or in parallel with other capacitors in order to obtain a bigger steps.

Dimensions



Dimensions	Brackets	Term
H x A x P (mm)		M
255 x 210 x 70	2	M 8
370 x 210 x 70	2	M 8
370 x 220 x 150	2	M 12
520 x 220 x 150	2	M 12
620 x 220 x 150	2	M 12
750 x 220 x 150	2	M 12

Power	Voltage	Dimensions	Code
KVAr	V.c.a	H x A x P (mm)	
2.5	230 V	255 x 210 x 70	R02300025500000
5	230 V	255 x 210 x 70	R02300050500000
7.5	230 V	370 x 210 x 70	R02300075500000
10	230 V	370 x 210 x 70	R02300100500000
12.5	230 V	370 x 220x 150	R02300125500000
15	230 V	370 x 220 x 150	R02300150500000
20	230 V	520 x 220 x 150	R02300200500000
25	230 V	520 x 220 x 150	R02300250500000
30	230 V	620 x 220 x 150	R02300300500000
35	230 V	750 x 220 x 150	R02300350500000
40	230 V	750 x 220 x 150	R02300400500000
45	230 V	750 x 220 x 150	R02300450500000

Power	Voltage	Dimensions	Code
KVAr	V.c.a	H x A x P (mm)	
5	400 V	255 x 210 x 70	R04000050500000
7.5	400 V	255 x 210 x 70	R04000075500000
10	400 V	255 x 210 x 70	R04000100500000
12.5	400 V	370 x 210 x 70	R04000125500000
15	400 V	370 x 210x 70	R04000150500000
20	400 V	370 x 210 x 70	R04000200500000
25	400 V	370 x 220 x 150	R04000250500000
30	400 V	370 x 220 x 150	R04000300500000
35	400 V	520 x 220 x 150	R04000350500000
40	400 V	520 x 220 x 150	R04000400500000
45	400 V	520 x 220 x 150	R04000450500000
50	400 V	520 x 220 x 150	R04000500500000
60	400 V	620 x 220 x 150	R04000600500000
70	400 V	750 x 220 x 150	R04000700500000
80	400 V	750 x 220 x 150	R04000800500000

**Industrial frequency "8 hours every 24 hours" of fluctuation and regulation of voltage, higher values may cause damages in capacitor. EN 60831-1-1996(20.1)

BO/R 50Hz Series

Power	Voltage	Dimensions	Code
KVAr	V.c.a	H x A x P (mm)	
5	440 V	255 x 210 x 70	R04400050500000
7.5	440 V	255 x 210 x 70	R04400075500000
10	440 V	255 x 210 x 70	R04400100500000
12.5	440 V	370 x 210 x 70	R04400125500000
15	440 V	370 x 210x 70	R04400150500000
20	440 V	370 x 210 x 70	R04400200500000
25	440 V	370 x 220 x 150	R04400250500000
30	440 V	370 x 220 x 150	R04400300500000
35	440 V	520 x 220 x 150	R04400350500000
40	440 V	520 x 220 x 150	R04400400500000
45	440 V	520 x 220 x 150	R04400450500000
50	440 V	520 x 220 x 150	R04400500500000
60	440 V	620 x 220 x 150	R04400600500000
70	440 V	750 x 220 x 150	R04400700500000
80	440 V	750 x 220 x 150	R04400800500000

Power	Voltage	Dimensions	Code
KVAr	V.c.a	H x A x P (mm)	
5	525 V	255 x 210 x 70	R05250050500000
7.5	525 V	255 x 210 x 70	R05250075500000
10	525 V	255 x 210 x 70	R05250100500000
12.5	525 V	370 x 210 x 70	R05250125500000
15	525 V	370 x 210x 70	R05250150500000
20	525 V	370 x 210 x 70	R05250200500000
25	525 V	370 x 220 x 150	R05250250500000
30	525 V	370 x 220 x 150	R05250300500000
35	525 V	520 x 220 x 150	R05250350500000
40	525 V	520 x 220 x 150	R05250400500000
45	525 V	520 x 220 x 150	R05250450500000
50	525 V	520 x 220 x 150	R05250500500000
60	525 V	620 x 220 x 150	R05250600500000
70	525 V	750 x 220 x 150	R05250700500000
80	525 V	750 x 220 x 150	R05250800500000

Power	Voltage	Dimensions	Code
KVAr	V.c.a	H x A x P (mm)	
5	460 V	255 x 210 x 70	R04600050500000
7.5	460 V	255 x 210 x 70	R04600075500000
10	460 V	255 x 210 x 70	R04600100500000
12.5	460 V	370 x 210 x 70	R04600125500000
15	460 V	370 x 210 x 70	R04600150500000
20	460 V	370 x 210 x 70	R04600200500000
25	460 V	370 x 220 x 150	R04600250500000
30	460 V	370 x 220 x 150	R04600300500000
35	460 V	520 x 220 x 150	R04600350500000
40	460 V	520 x 220 x 150	R04600400500000
45	460 V	520 x 220 x 150	R04600450500000
50	460 V	520 x 220 x 150	R04600500500000
60	460 V	620 x 220 x 150	R04600600500000
70	460 V	750 x 220 x 150	R04600700500000
80	460 V	750 x 220 x 150	R04600800500000

Power	Voltage	Dimensions	Code
KVAr	V.c.a	H x A x P (mm)	
5	690 V	255 x 210 x 70	R06900050500000
7.5	690 V	255 x 210 x 70	R06900075500000
10	690 V	255 x 210 x 70	R06900100500000
12.5	690 V	370 x 210 x 70	R06900125500000
15	690 V	370 x 210x 70	R06900150500000
20	690 V	370 x 210 x 70	R06900200500000
25	690 V	370 x 220 x 150	R06900250500000
30	690 V	370 x 220 x 150	R06900300500000
35	690 V	520 x 220 x 150	R06900350500000
40	690 V	520 x 220 x 150	R06900400500000
45	690 V	520 x 220 x 150	R06900450500000
50	690 V	520 x 220 x 150	R06900500500000
60	690 V	620 x 220 x 150	R06900600500000
70	690 V	750 x 220 x 150	R06900700500000
80	690 V	750 x 220 x 150	R06900800500000

Power	Voltage	Dimensions	Code
KVAr	V.c.a	H x A x P (mm)	
5	480 V	255 x 210 x 70	R04800050500000
7.5	480 V	255 x 210 x 70	R04800075500000
10	480 V	255 x 210 x 70	R04800100500000
12.5	480 V	370 x 210 x 70	R04800125500000
15	480 V	370 x 210x 70	R04800150500000
20	480 V	370 x 210 x 70	R04800200500000
25	480 V	370 x 220 x 150	R04800250500000
30	480 V	370 x 220 x 150	R04800300500000
35	480 V	520 x 220 x 150	R04800350500000
40	480 V	520 x 220 x 150	R04800400500000
45	480 V	520 x 220 x 150	R04800450500000
50	480 V	520 x 220 x 150	R04800500500000
60	480 V	620 x 220 x 150	R04800600500000
70	480 V	750 x 220 x 150	R04800700500000
80	480 V	750 x 220 x 150	R04800800500000

Power	Voltage	Dimensions	Code
KVAr	V.c.a	H x A x P (mm)	
5	1100 V	255 x 210 x 70	R11000050500000
7.5	1100 V	255 x 210 x 70	R11000075500000
10	1100 V	255 x 210 x 70	R11000100500000
12.5	1100 V	370 x 210 x 70	R11000125500000
15	1100 V	370 x 210x 70	R11000150500000
20	1100 V	370 x 210 x 70	R11000200500000
25	1100 V	370 x 220 x 150	R11000250500000
30	1100 V	370 x 220 x 150	R11000300500000
35	1100 V	520 x 220 x 150	R11000350500000
40	1100 V	520 x 220 x 150	R11000400500000
45	1100 V	520 x 220 x 150	R11000450500000
50	1100 V	520 x 220 x 150	R11000500500000
60	1100 V	620 x 220 x 150	R11000600500000
70	1100 V	750 x 220 x 150	R11000700500000
80	1100V	750 x 220 x 150	R11000800500000

* Other voltages upon request
* 60 Hz upon request